

深圳市昱申科技有限公司
CHINA YOUNG SUN LED TECHNOLOGY CO., LTD.

TEL: (86) 755-28079401 28079402 28079403 28079404 28079405
FAX: (86) 755-28079407 E-mail: info@100LED.com Web: www.100LED.com

Model No.: YSL-R531Y3D-D2

Applications:

- Decorations
- Bill Insperctor
- Inceticial Lights
- Medical Appliance

Absolute Maximum Ratings: (Ta=25°C) .

ITEMS	Symbol	Absolute Maximum Rating	Unit
Forward Current	I _F	20	mA
Peak Forward Current	I _{FP}	30	mA
Suggestion Using Current	I _{SU}	16-18	mA
Reverse Voltage (V _R =5V)	I _R	10	uA
Power Dissipation	P _D	105	mW
Operation Temperature	T _{OPR}	-40 ~ 85	°C
Storage Temperature	T _{STG}	-40 ~ 100	°C
Lead Soldering Temperature	T _{SOL}	Max. 260°C for 3 Sec. Max. (3mm from the base of the expoxy bulb)	

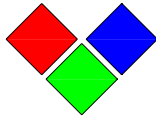
Absolute Maximum Ratings: (Ta=25°C)

ITEMS	Symbol	Test condition	Min.	Typ.	Max.	Unit
Forward Voltage	V _F	I _F =20mA	1.8	---	2.2	V
Wavelength (nm) or TC(k)	Δλ	I _F =20mA	587	---	591	nm
*Luminous intensity	I _v	I _F =20mA	150	---	200	mcd
50% Viewing Angle	2θ 1/2	I _F =20mA	40	---	60	deg

Address: 5/F, Building B, Anzhilong Indl., Qinghua East Road., Longhua Town, Shenzhen CHINA. 518109

www.100LED.com

ONE HUNDRED LED
PERFECT LED



深圳市昱申科技有限公司

CHINA YOUNG SUN LED TECHNOLOGY CO., LTD.

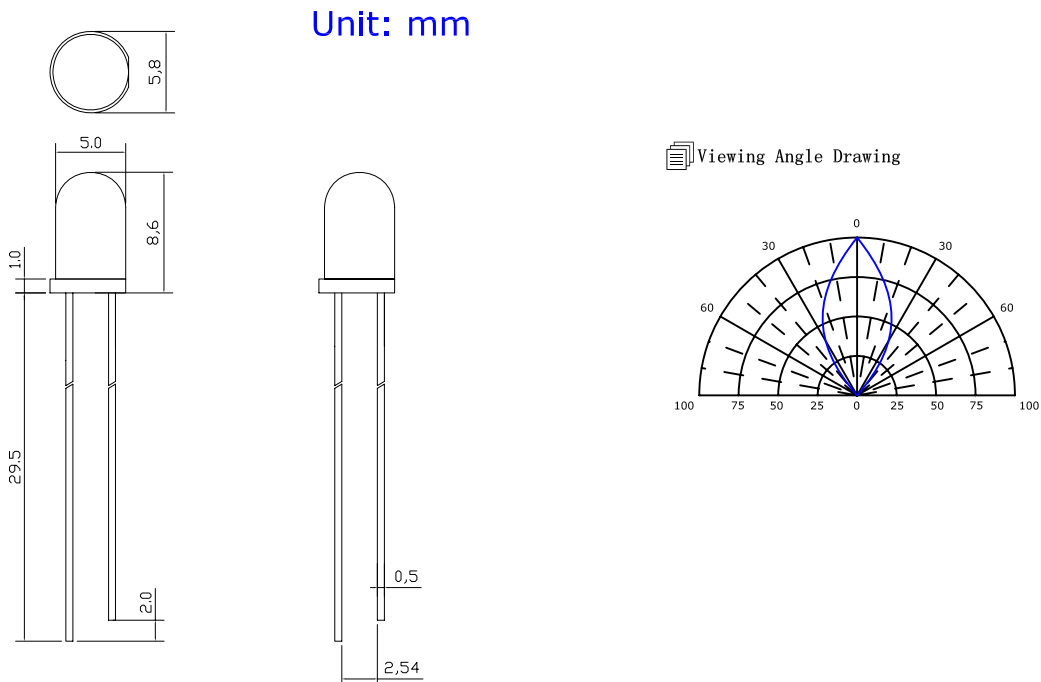
TEL: (86) 755-28079401 28079402 28079403 28079404 28079405
 FAX: (86) 755-28079407 E-mail: info@100LED.com Web: www.100LED.com

Light Degradation in mcd: (I_F=20mA)

Colors	Light Degradation in mcd after Different Hours					
	216 Hrs	360 Hrs	792 Hrs	1104 Hrs	1992 Hrs	2328 Hrs
Red	1.52%	-1.22%	-3.10%	-4.68%	-5.72%	-8.27%
Yellow	-1.71%	-2.97%	-5.93%	-8.13%	-8.90%	-11.10%
Blue	3.13%	-0.33%	-3.84%	-8.23%	-21.32%	-24.92%
Green	-8.02%	-9.78%	-14.25%	-17.37%	-20.79%	-22.30%
Hours	48 Hrs	168 Hrs	336 Hrs	360Hrs	720 Hrs	1008 Hrs
Cool White	10.56%	6.72%	-2.29%	-7.68%	-17.32%	-22.48%
Pure White	13.66%	8.22%	-1.45%	-8.50%	-19.52%	-25.26%
Warm White	3.02%	-4.38%	-15.18%	-21.15%	-27.19%	-29.97%

Mechanical Dimensions:

- All dimension are in mm, tolerance is ± 0.2 mm unless otherwise noted
- An epoxy meniscus may extend about 1.5mm down the leads.
- Burr around bottom of epoxy may be 0.5mm Maximum



Address: 5/F, Building B, Anzhihong Indl., Qinghua East Road., Longhua Town, Shenzhen CHINA. 518109